



Makita Werkzeug Ges.m.b.H.

Airportstr. 4, 2401 Fischamend

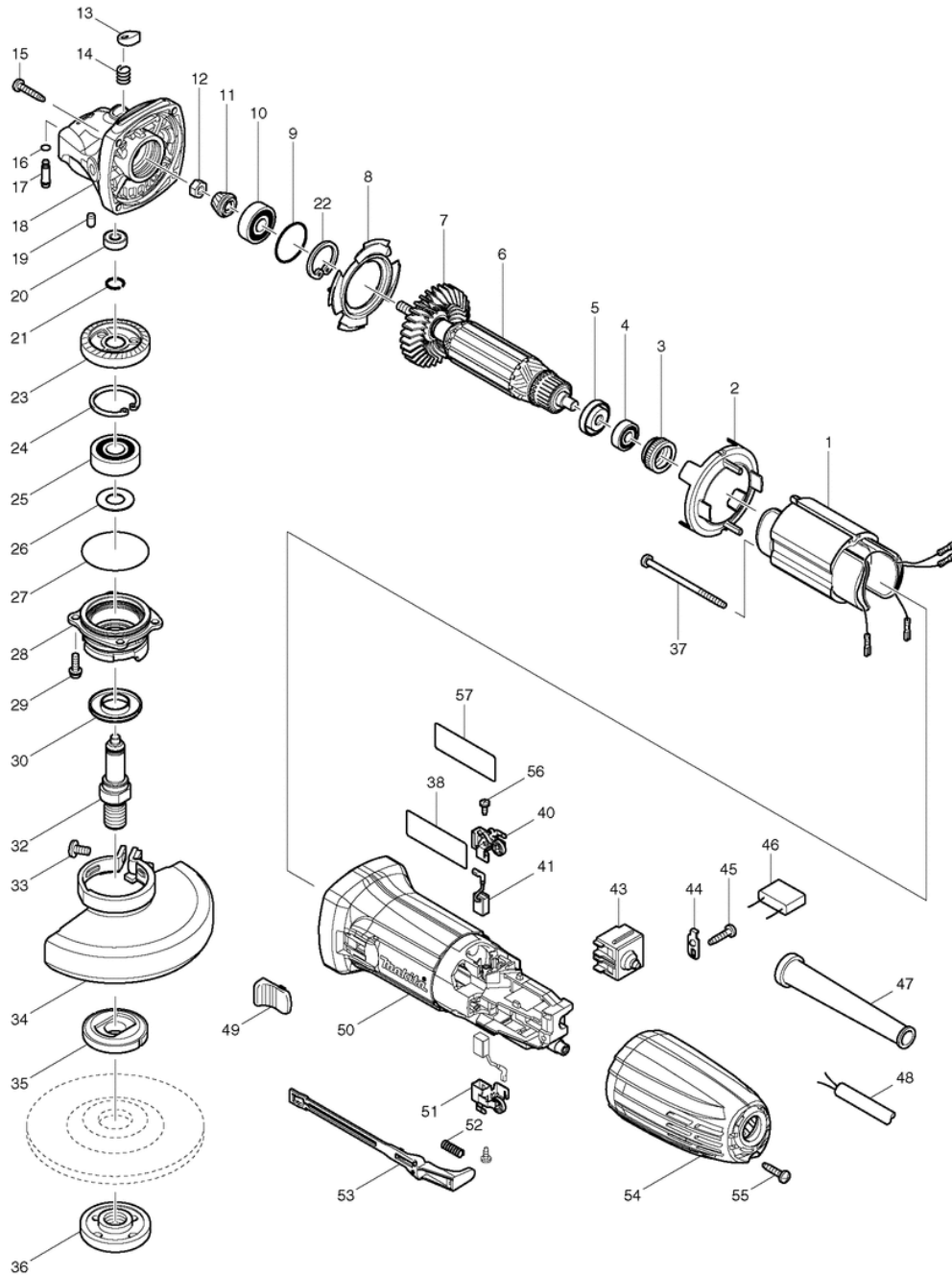
Tel: 02232 / 777 00

Fax: 02232 / 777 00 - 40

Mail: verkauf@makita.at

Web: www.makita.at

Makita Service Information / Model: GA4530





Makita Werkzeug Ges.m.b.H.

Airportstr. 4, 2401 Fischamend

Tel: 02232 / 777 00

Fax: 02232 / 777 00 - 40

Mail: verkauf@makita.at

Web: www.makita.at

Makita Service Information / Model: GA4530

| POS | Bestell-Nr. | Artikelbeschreibung | Stk. | Stk.Preis |
|------|-------------|--------------------------------------|------|-----------|
| 1 | 623533-4 | STATOR GA5030/4530 | 1 | N/A |
| 1.2 | 635113-4 | FELD GA5030/4530 | 1 | N/A |
| 2 | 450796-7 | DOSKA ODKLONU VZD. GA5030 | 1 | N/A |
| 3 | 421868-5 | PROTIPRACHOVY KRUZOK 19 9554-95 | 1 | N/A |
| 4 | 210034-7 | LOŽISKO GULIČKOVÉ 607LLB 9554-58NB | 1 | N/A |
| 5 | 681636-0 | IZOLACNA PODLOZKA | 1 | N/A |
| 6 | 517649-4 | KOTVA ÚPLNÁ 220 V GA5030 | 1 | N/A |
| 6 | | *** INC. 4,5,7 | | N/A |
| 7 | 240107-2 | KOLESO VENTILÁTORA 56 NA GA4530/5030 | 1 | N/A |
| 7.2 | 240139-9 | Fan 56 | 1 | N/A |
| 8 | 413126-3 | KRYTKA NA GA5030/4530 | 1 | N/A |
| 9 | 213445-5 | O-KRÚŽOK 26 MT952/953/9554-58N | 1 | N/A |
| 10 | 211092-6 | LOŽISKO GULIČKOVÉ 629DDW | 1 | N/A |
| 11 | 227545-5 | KOLESO OZUBENÉ 10 GA5030 | 1 | N/A |
| 12 | 252186-8 | MATICA M6 9554NB-9558NB | 1 | N/A |
| 13 | 417771-6 | VIEČKO 9554-9558 | 1 | N/A |
| 14 | 234057-1 | PRUŽINA PRÍTLAČNÁ 8 NA GA5020/6020 | 1 | N/A |
| 15 | 266324-6 | SKRUTKA SAMOREZNÁ 4X22 | 4 | N/A |
| 16 | 213960-9 | O-KRÚŽOK 5 9554NB-9558NB | 1 | N/A |
| 16.2 | 213032-0 | O-KRÚŽOK 4 | 1 | N/A |
| 17 | 256510-7 | KOLÍK ARETACIE | 1 | N/A |
| 18 | 318335-8 | KRYT PREVODOVKY GA5030 | 1 | N/A |
| 19 | 263002-9 | KOLÍK GUMA 4 | 1 | N/A |
| 20 | 210033-9 | LOŽISKO GULIČKOVÉ 696ZZ 2107FK/9554 | 1 | N/A |
| 21 | 233950-6 | KRÚŽOK PRUŽNÝ 11 | 1 | N/A |
| 22 | 962105-3 | POISTNY KRUZOK R-26 962105-3 | 1 | N/A |
| 23 | 227546-3 | KOLESO OZUBENÉ 37 | 1 | N/A |
| 24 | 962151-6 | POISTNY KRUZOK R-32 | 1 | N/A |
| 25 | 211129-9 | LOŽISKO GULIČKOVÉ 6201DDW | 1 | N/A |
| 26 | 267113-2 | PODLOŽKA 12 | 1 | N/A |
| 27 | 213561-3 | O-KRÚŽOK 42 | 1 | N/A |
| 28 | 318336-6 | KRYT LOŽISKA | 1 | N/A |
| 29 | 265099-4 | SKRUTKA M4x14 9554NB-9558NB | 4 | N/A |
| 30 | 345464-4 | LABYRINTOVY KRUZOK 9554NB-9558NB | 1 | N/A |
| 32 | 324954-0 | OSKA GA5030 | 1 | N/A |
| 33 | 265180-1 | SKRUTKA M5x16 GA6021/GA4530 | 1 | N/A |
| 34 | 135245-2 | KRYT KOTÚČA 115K GA4530 | 1 | N/A |
| 34 | | *** INC. 33 | | N/A |
| 34.2 | 122886-3 | KRYT KOTÚČA 9554NB/GA4530 | 1 | N/A |
| 34.2 | | *** INC. 33 | | N/A |



Makita Werkzeug Ges.m.b.H.

Airportstr. 4, 2401 Fischamend

Tel: 02232 / 777 00

Fax: 02232 / 777 00 - 40

Mail: verkauf@makita.at

Web: www.makita.at

Makita Service Information / Model: GA4530

| POS | Bestell-Nr. | Artikelbeschreibung | Stk. | Stk.Preis |
|--------|-------------|---------------------------------|------|-----------|
| 34.3 | 123098-1 | WHEEL COVER ASS'Y | 1 | N/A |
| 34.3 | | *** INC. 33 | | N/A |
| 35 | 224415-9 | INNER FLANGE 42 | 1 | N/A |
| 36 | 224554-5 | LOCK NUT 14-45 | 1 | N/A |
| 37 | 266325-4 | SKRUTKA SAMOREZNÁ 4X70 | 2 | N/A |
| 38 | 866050-3 | Name Plate GA4530 | 1 | N/A |
| 40 | 643839-4 | DRŽIAK UHLÍKOV NA GA5030/4530 | 1 | N/A |
| 41 | 194722-3 | UHLÍKY CB-459 | 1 | N/A |
| 43 | 650560-8 | VYPINAC 9554NB-9558NB | 1 | N/A |
| 44 | 687681-3 | DRŽIAK KÁBLA NA GA4530/5030 | 1 | N/A |
| 45 | 266326-2 | SKRUTKA SAMOREZNÁ | 1 | N/A |
| 46 | 645200-1 | ODRUSOVACI KONDENZATOR | 1 | N/A |
| 46.2 | 638739-1 | ODRUŠOVACÍ KONDENZÁTOR HP1641 | 1 | N/A |
| 47 | 682559-5 | CHLANIC SNURY 8 | 1 | N/A |
| 48 | 665394-6 | KÁBEL 1,0-2-2,5 9566CR/CVR | 1 | N/A |
| 49 | 419566-3 | PREPÍNAČ 9554/58NB | 1 | N/A |
| 50 | 450795-9 | KRYT MOTORA GA5030 | 1 | N/A |
| 50.2 | 451128-1 | KRYT MOTORA GA5030/4530 | 1 | N/A |
| 51 | 643839-4 | DRŽIAK UHLÍKOV NA GA5030/4530 | 1 | N/A |
| 52 | 233121-5 | PRUŽINA PRÍTLAČNÁ 4 9554-9558NB | 1 | N/A |
| 53 | 450797-5 | TIAHLO VYPÍNAČA GA5030 | 1 | N/A |
| 54 | 450794-1 | KRYT GA5030 | 1 | N/A |
| 55 | 266326-2 | SKRUTKA SAMOREZNÁ | 1 | N/A |
| 56 | 265954-0 | SKRUTKA SAMOREZNÁ 3x8mm | 2 | N/A |
| 56.2 | 266492-5 | TAPPING SCREW 3x8 | 2 | N/A |
| 57 | 819327-5 | Clear Label | 1 | N/A |
| 57.2 | 891976-0 | CLEAR LABEL | 1 | N/A |
| 57.3 | 806E99-1 | CLEAR LABEL | 1 | N/A |
| 1001 | 153504-2 | GRIP 36 COMPLETE | 1 | N/A |
| 1001.2 | 153489-2 | GRIP 36 COMPLETE | 1 | N/A |
| 1002 | 782423-1 | LOCK NUT WRENCH 35 | 1 | N/A |
| 1004 | A-80640 | DEPRESSED CENTER WHEEL 115X36 | 1 | N/A |
| 1004.2 | A-80927 | GRINDING WHEEL 115X6X22(A36P) | 1 | N/A |
| 5001 | 808153-7 | Safety Instruction Label | 1 | N/A |